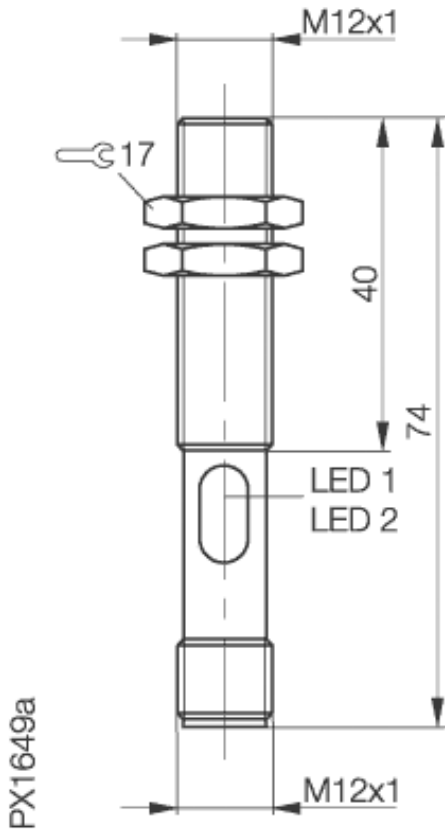


Photoelectric Sensor
BOS 12M-PU-1HA-S 4-C
Sn=600mm
Diffuse



Common Data

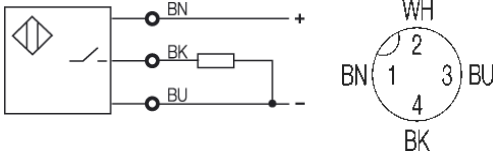
Series	12M
Sensortype	Diffuse
Switching frequency	1000 Hz
Rated operating distance Sn in mm	600
asured operating distance Sa	adjustable
Hysteresis	0,05mm
Indication Switching element on	yes, yellow LED
Indication Special funktion	Contamination indicator, green
LED	
Ambient temperature	-20...+60°C
On-delay	0,5ms
Off-delay	< 5ms
Light	Red light
Sensitivity Adjustment	Teach in
Diameter of active zone	5x5 with 50mm
Permissible ambient light	5000 Lux
Output function	light-on or dark-on
Gray value shift	0,1

Mechanical Data

Measurements	M12x74
Shock	Halfsinus, 30gn, 11ms
Vibration	10...55Hz, 1,5mm Amplitude 3x2h
Housing material	nickel plated brass
Material of sensing face	PMMA
Degree of protection	IP67
Connection	Connector S4 (M12)
Weigth	30g
Recommended connector	BKS-S19-/ BKS-S20-

Electrical Data

Current	DC
Switching function	normally-open
Output	PNP
Rated operational current Ie	100mA
Supply Voltage	10...30V DC
Ripple	< 15% from UB
Frequency of Supply Voltage	DC
No-load supply current	<25mA
Voltage drop	<2,4V
Short protection	yes
Protected against polarity reversal	yes
Rated insulation voltage	250V AC
max. Load capacity	0,33µF



Utilization categories
 Insulation class

DC 13
 II

Datasheet number:

Definitions see general catalog.
 If not otherwise noted, ratings according to
 IEC 60947-5-2 (DIN EN60947-5-2)

Balluff GmbH
 Schurwaldstrasse 9
 73765 Neuhausen a.d.F.
 Phone (07158) 173-0 Fax (07158) 5010

Datenblatt by CD-ROM - 04/2007

BALLUFF
 sensors worldwide